



TEREX

PS5000 PS6000 PT7000 PT5000 PT6000

Power Tip / Power Swivel Site Dumpers

PAYLOAD	5000 kg / 6000 kg / 7000 kg
GROSS ENGINE POWER	60.0 kW (80.0 hp)
MAX SKIP CAPACITIES	2910 Litres - 3850 Litres



POWER TIP / POWER SWIVEL SITE
DUMPERS

- Large heaped skip capacities.
- “Rental Tough” designs and fabrications to keep you working in the toughest of conditions.
- Thick steel skip base plate with reinforced box sections for high strength and longevity.
- Exceptional service access and ease of maintenance built into every machine.
- High ground clearance, low centre of gravity for superb stability and site accessibility.
- Powerful, reliable and economical Cummins engines.
- Power Tip (PT) for forwards tip applications. Power Swivel (PS) enables effective placement of load to either side - useful for trench filling or small sites.

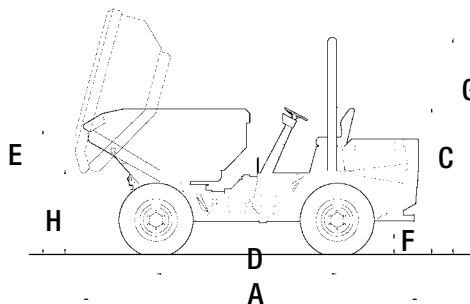
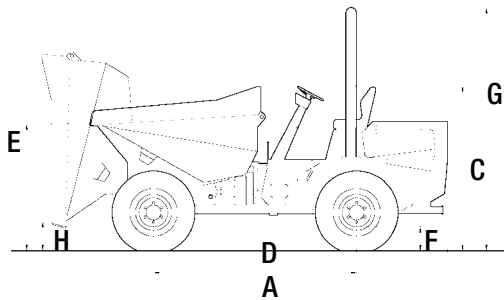
Technical Data

	PT5000	PS5000	PT6000	PS6000	PT7000
Payload (kg)	5000	5000	6000	6000	7000
Unladen Weight (kg)	3880	4000	4110	4270	4170
Skip Capacity - Water (ltr)	1620	1700	1950	1850	2100
- Struck (ltr)	2450	2300	2740	2750	3020
- Heaped (ltr)	3100	2910	3780	3520	3850
Engine	Cummins B4.5				
- Net Power - kW (hp)	60.0 (80.0)				
- Capacity	4.5 litres (4500 cc)				
- Maximum Torque	325 Nm				
Tyre Size	12.0x18x12ply		405/70-20-14PR		
Drive	4/4 Powershuttle - permanent 4WD				
Max Travel Speed - mph (kph)	15.5 (25.0)	15.5 (25.0)	16.8 (27.0.)	16.8 (27.0.)	16.8 (27.0.)
Gradeability	25 %	25 %	25 %	25 %	25 %
Fuel Tank Capacity	67 Litres	67 Litres	67 Litres	67 Litres	67 Litres
Hydraulic Tank Capacity	50 Litres	50 Litres	50 Litres	50 Litres	50 Litres

PT5000 / PS5000 / PT6000 / PS6000 / PT7000

Dimensions

B = Overall Width (not shown)



Dimensions (mm)		PT5000	PS5000	PT6000	PS6000	PT7000
A	Total Length	4270	4550	4320	4590	4320
B	Total Width (not shown)	2250	2075	2350	2095	2500
C	Height to Top of Steering Wheel	2070	2070	2160	2160	2160
D	Wheelbase	2450	2450	2450	2450	2450
E	Height to Front Lip of Skip (untipped)	1500	1690	1630	1760	1630
F	Ground Clearance	308	308	380	380	380
G	Height to Top of ROPS (raised)	2835	2835	2910	2910	2910
H	Height to Front Lip of Skip (tipped)	365	1060	360	1100	360
	Turning Radius to Outside of Skip	5400 mm	5400 mm	5600 mm	5600 mm	5600 mm
	Steering Angle	+/- 30°	+/- 30°	+/- 30°	+/- 30°	+/- 30°
	Oscillation	+/- 10.5°	+/- 10.5°	+/- 10.5°	+/- 10.5°	+/- 10.5°
	Tipping Type	Forward	Swing	Forward	Swing	Forward

Hydraulic System (Gear Pump)

	PT5000 / PS5000 / PT6000 / PS6000 / PT7000
Flow rate	60 l/min
Operating Pressure	172 bar

Braking System

	PT5000 / PS5000 / PT6000 / PS6000 / PT7000
Working Brake	Foot brake - oil immersed discs on front/rear
Parking Brake	Ratchet parking brake - dry disc (gearbox)

Standard Equipment & Options

	PT5000 / PS5000 / PT6000 / PS6000 / PT7000
Folding ROPS Frame	Standard
Reversing Alarm	Standard
Flashing Beacon	Standard
Towing Bracket	Standard
Site Lights	Option
Road Lights (RTA)	Option
Rear View Mirror	Option
Grassland Tyres	Option
FOPS/Sun Canopy	Option

Electrical System

	PT5000 / PS5000 / PT6000 / PS6000 / PT7000
Voltage	12 V
Battery	90 Ah
Alternator	95 A

Dealer



TEREX Construction
Central Boulevard, ProLogis Park,
Coventry, England CV6 4BX

PHONE ++44 (0) 2476 339400
FAX ++44 (0) 2476 339500
EMAIL enquiries@terexce.com
WEB www.terexce.com

www.terex.com

For further information, please contact your local distributor or the Terex sales office listed. Terex pursues a policy of continuous development for its products. Product specifications are subject to change without notice or obligation. The photographs and drawings in this brochure are for illustrative purposes only. Refer to the appropriate Operator's Manual for instructions on the proper use of this equipment. Failure to follow the appropriate Operator's Manual when using our equipment or to otherwise act irresponsibly may result in serious injury or death. Prices and specifications subject to change without notice. The only warranty applicable is the standard written warranty applicable to the particular product and sale. Terex makes no other warranties, whether expressed or implied. Products and services listed may be trademarks, service marks or trade-names of Terex Corporation and/or its subsidiaries in the USA and other countries and all rights are reserved. "Terex" is a Registered Trademark of Terex Corporation in the USA and many other countries. Copyright ©09.2006 Terex Corporation

DS PTPS567 0107- EN

